

# Gashtavar

Industrial blowers



**Our company with more than 30 years of experience in the production of axial and centrifugal fans has been able to gain the trust of many companies in Iran. Improving quality has always been one of our goals. In the following, you will get acquainted with our products**



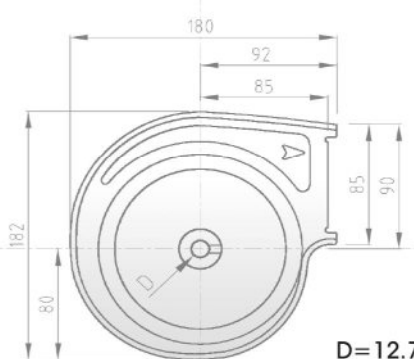
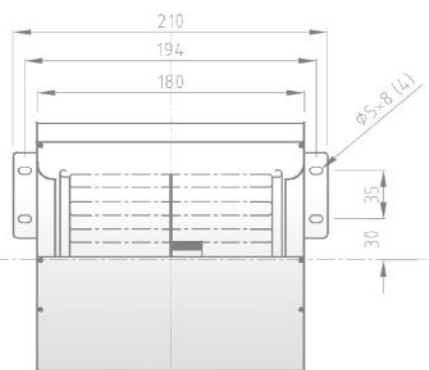
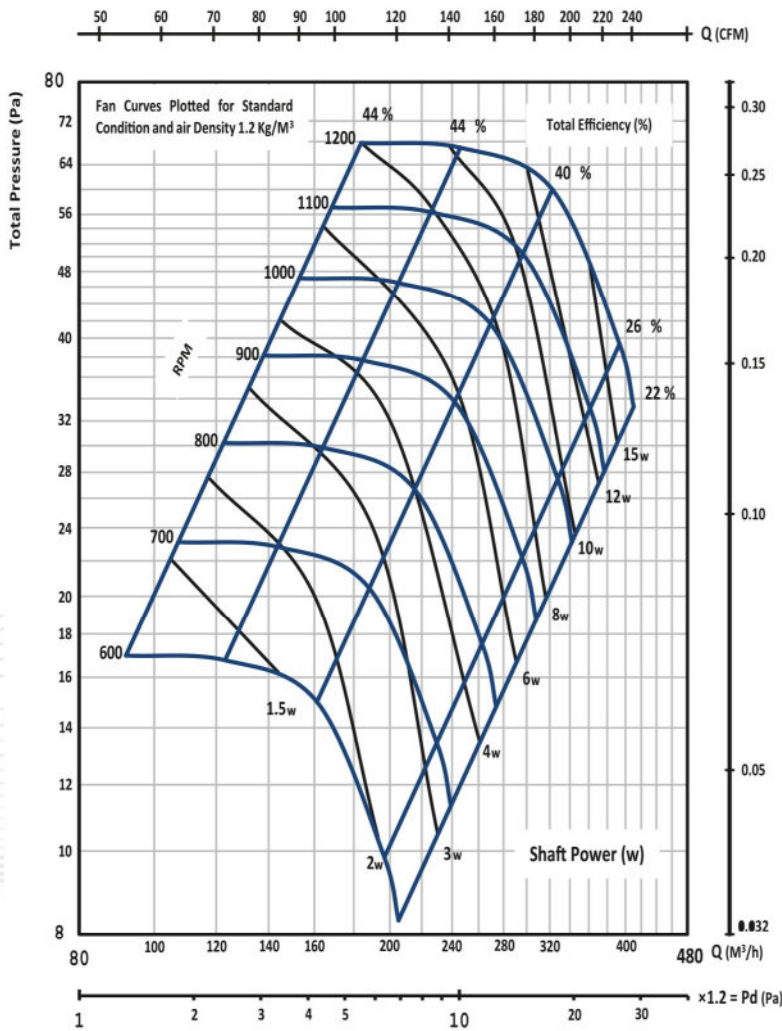
## General Table

Shaft Power (w)	Air flow (cfm)	Sound Level (db)	Max Pressure (Pa)	Housing		Blower Fan			Model
				Outlet Dim. (mm)	height (mm)	Weight (gr)	Length (mm)	Diameter (mm)	
10	200	30	80	85 x 180	180	400	150	130	<b>F1315</b>
18	300	35	80	85 x 230	180	480	200	130	<b>F1320</b>
30	350	40	115	106 x 180	215	450	150	150	<b>F1515</b>
33	400	40	115	106 x 230	215	530	200	150	<b>F1520</b>
55	600	45	135	118 x 230	235	570	200	160	<b>F1620</b>
100	800	48	155	130 x 230	265	640	200	180	<b>F1820</b>
130	1000	50	235	140 x 232	325	840	200	200	<b>F2020</b>
130	900	53	220	140 x 230	285	840	200	200	<b>F2020 (S)</b>



# F1315 (200 CFM)

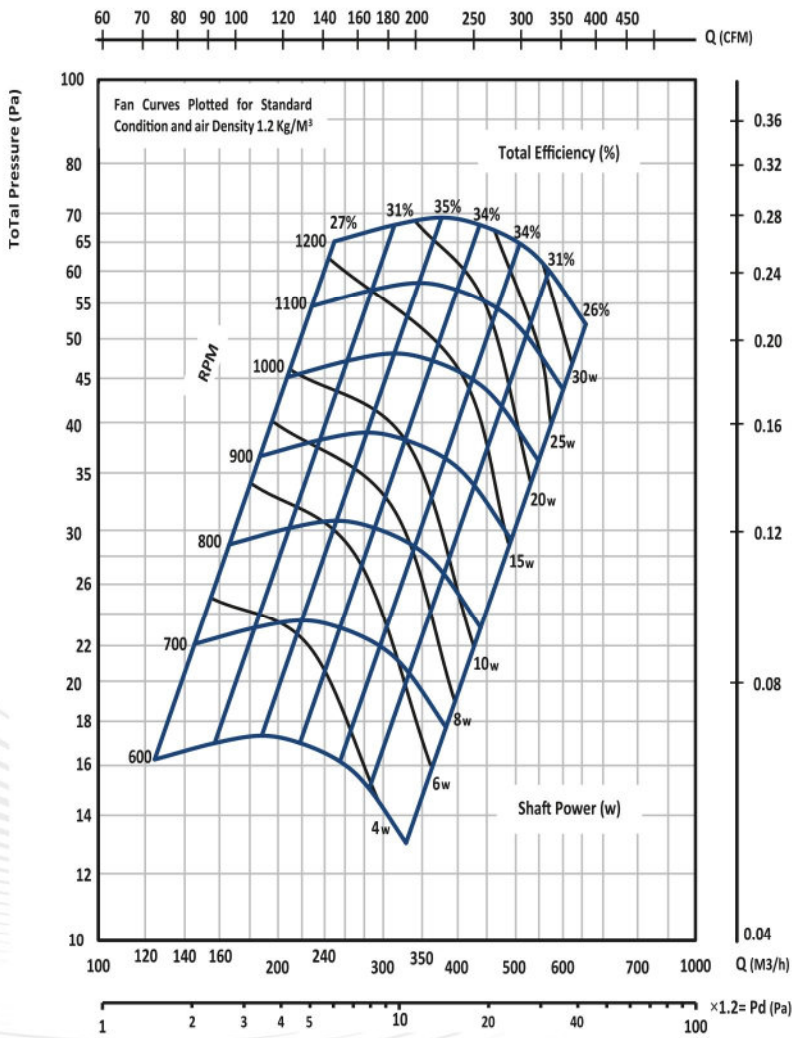
Fan Diameter: 130 mm	Fan Length: 150 mm	Fan Weight: 400 gr
Max Airflow: 238 cfm	Max Pressure: 80.1 Pa	Sound Level: 30 db



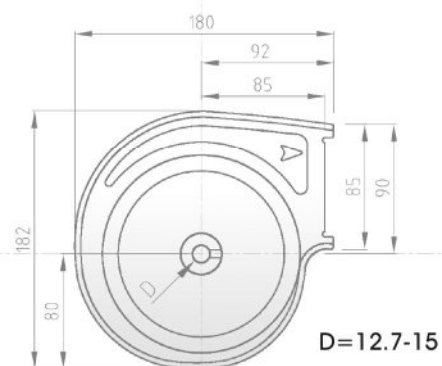
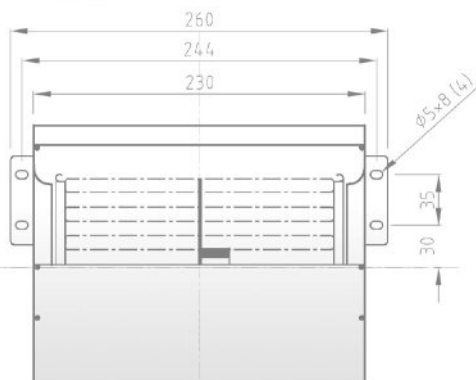
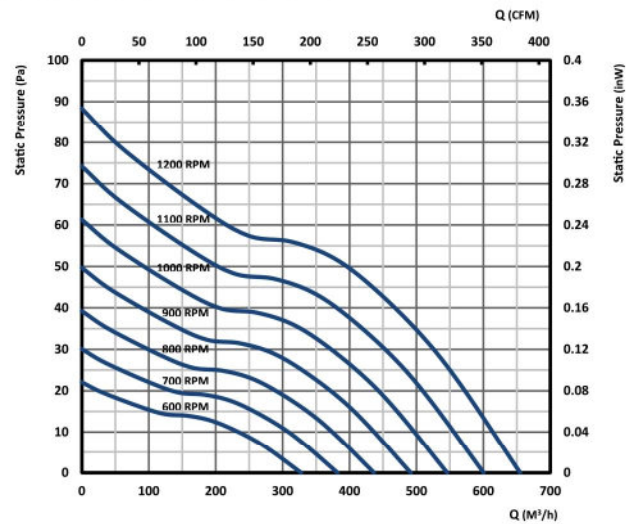
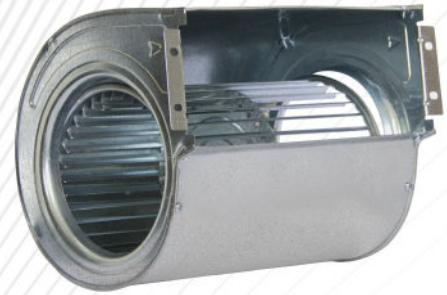
D=12.7-15

# F1320 (300 CFM)

Fan Diameter:	130 mm	Fan Length:	200 mm	Fan Weight:	480 gr
Max Airflow:	383 cfm	Max Pressure:	88 Pa	Sound Level:	35 db

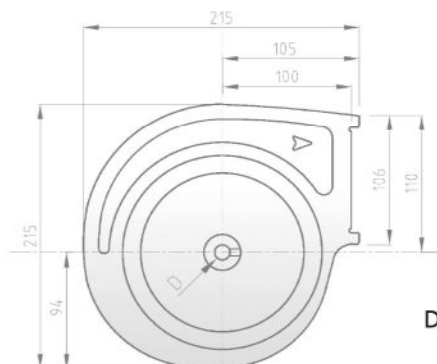
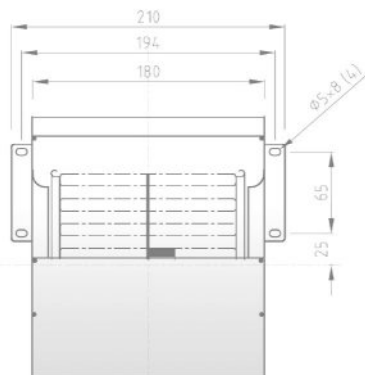
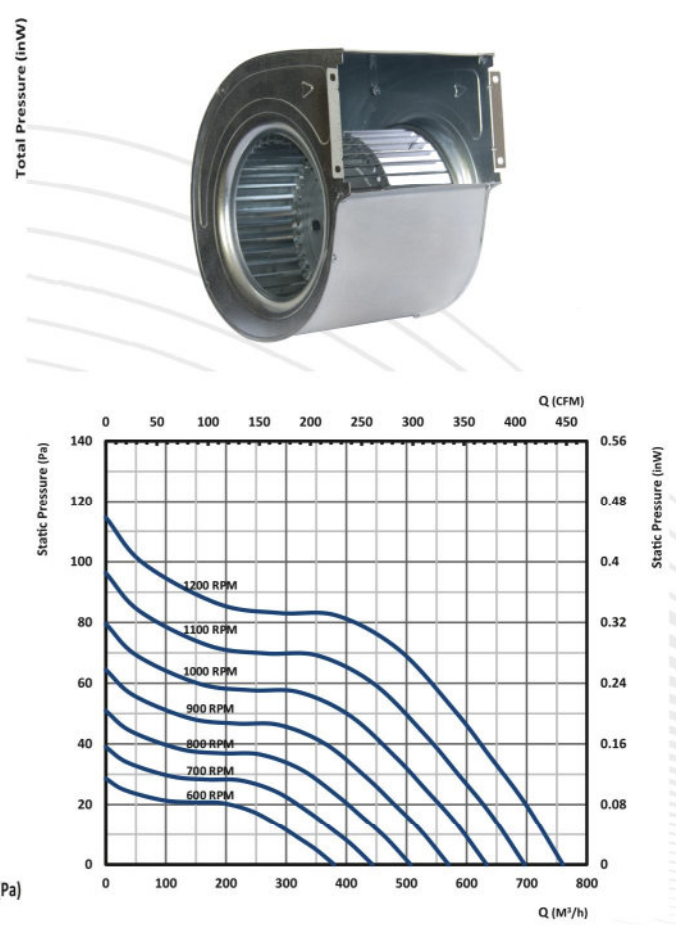
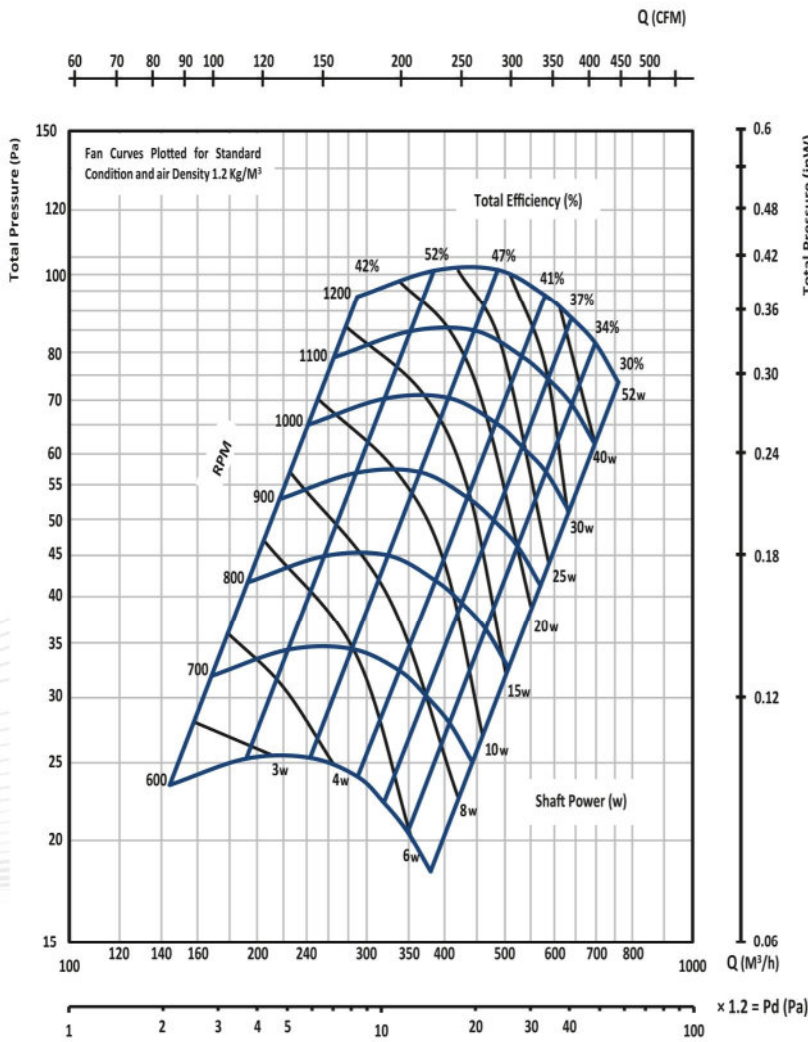


Total Pressure (inW)



# F1515 (350 CFM)

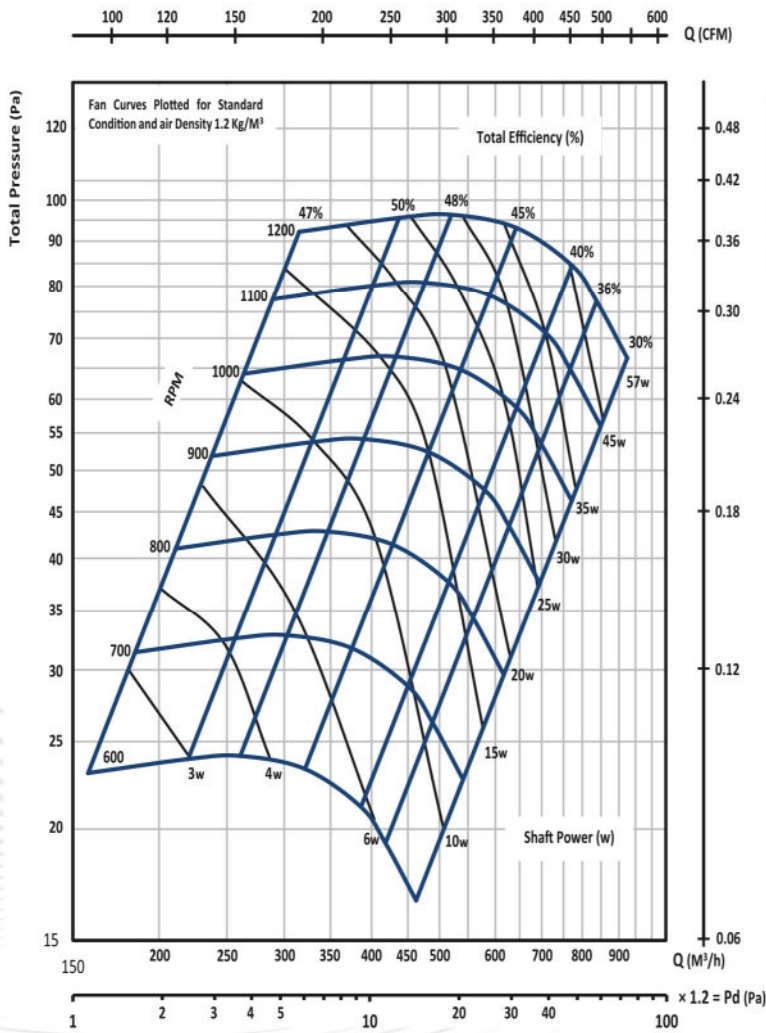
Fan Diameter: 150 mm	Fan Length: 150 mm	Fan Weight: 450 gr
Max Airflow: 447 cfm	Max Pressure: 114.6 Pa	Sound Level: 40 db



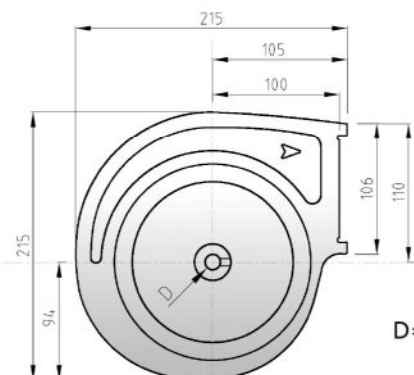
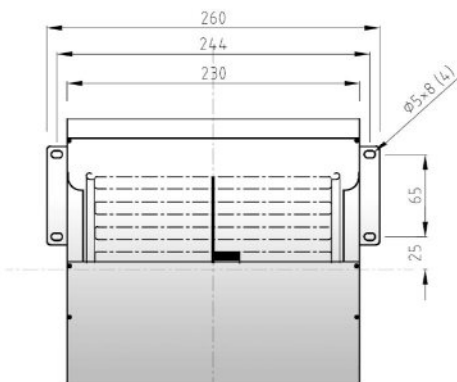
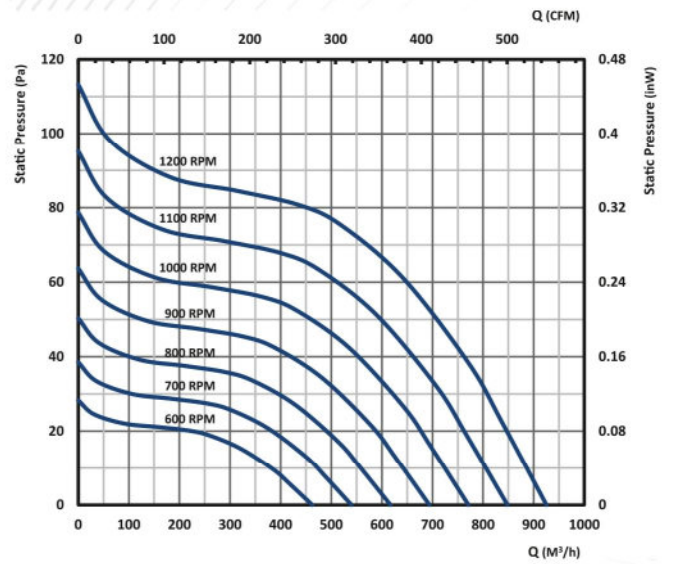
D=12.7-15

# F1520 (400 CFM)

Fan Diameter: 150 mm	Fan Length: 200 mm	Fan Weight: 530 gr
Max Airflow: 544 cfm	Max Pressure: 113.3 Pa	Sound Level: 40 db

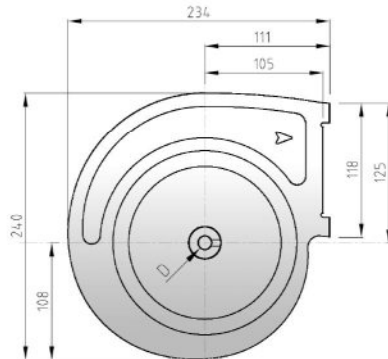
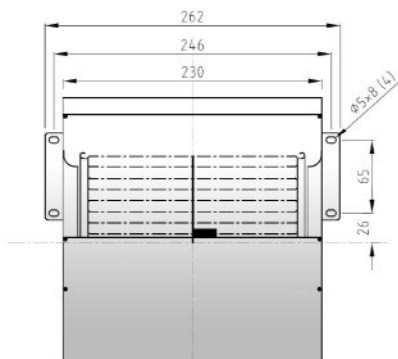
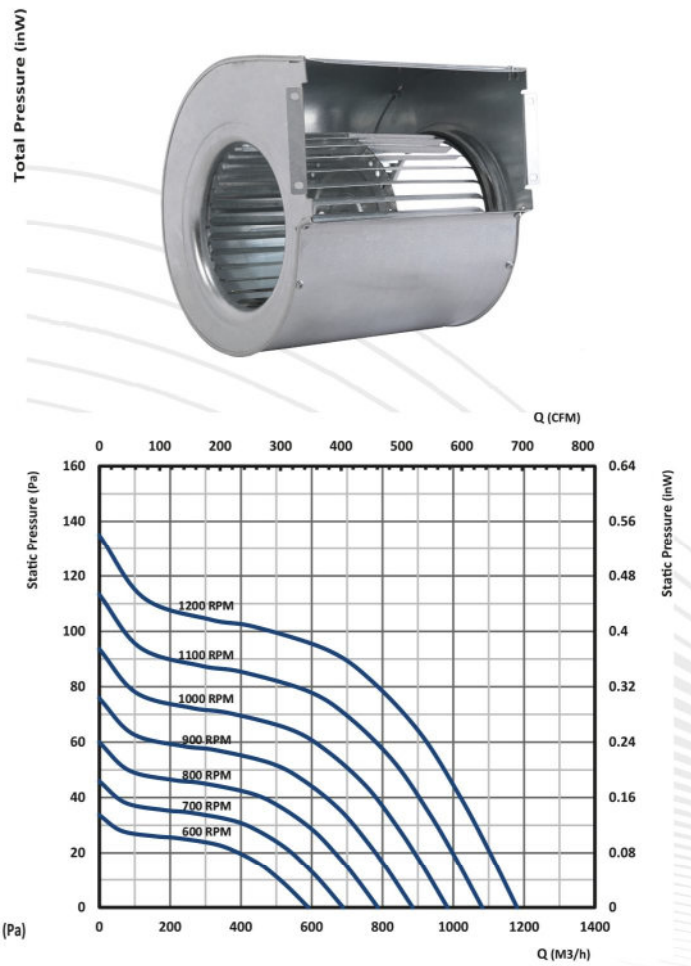
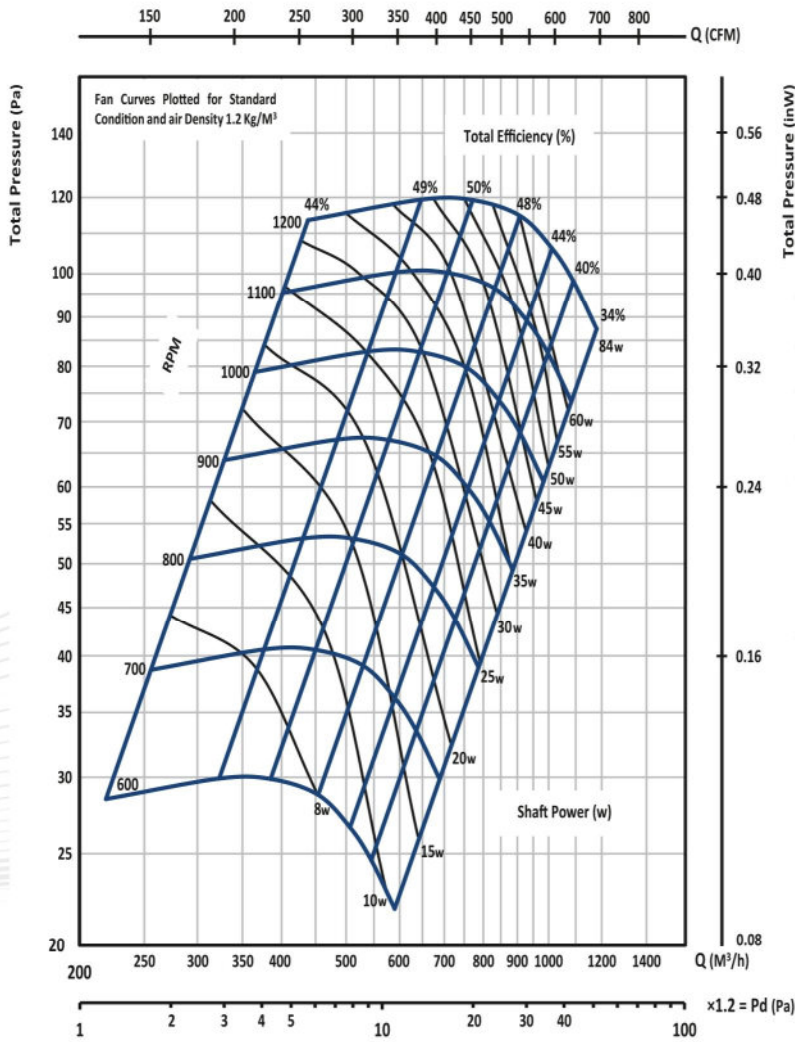


Total Pressure (mW)



# F1620 (600 CFM)

Fan Diameter: 160 mm	Fan Length: 200 mm	Fan Weight: 570 gr
Max Airflow: 649 cfm	Max Pressure: 134.9 Pa	Sound Level: 45 db

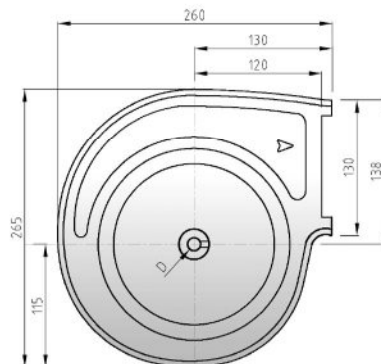
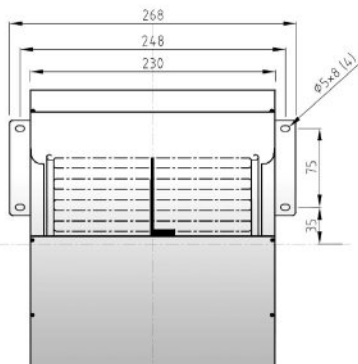
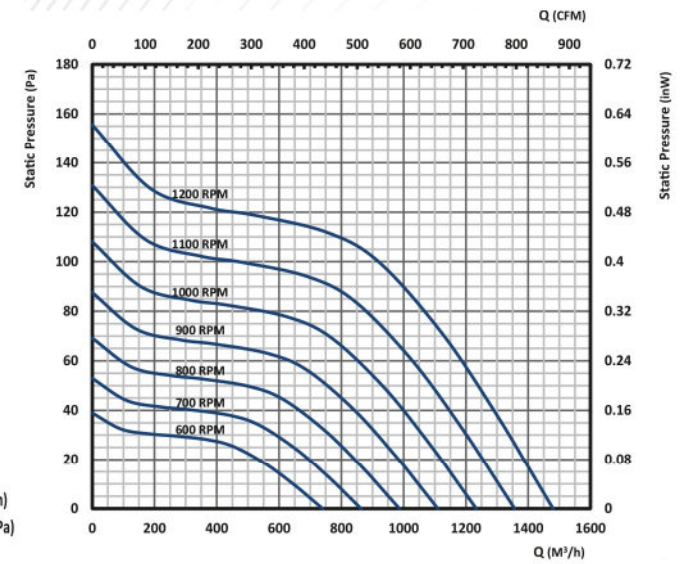
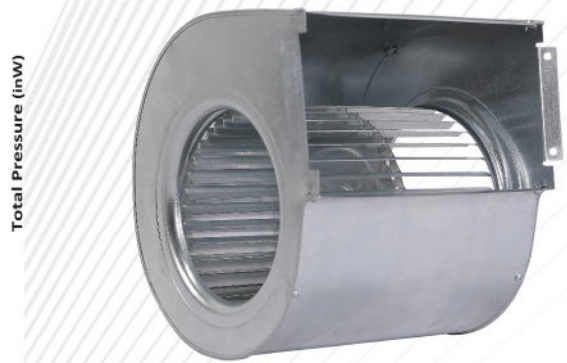
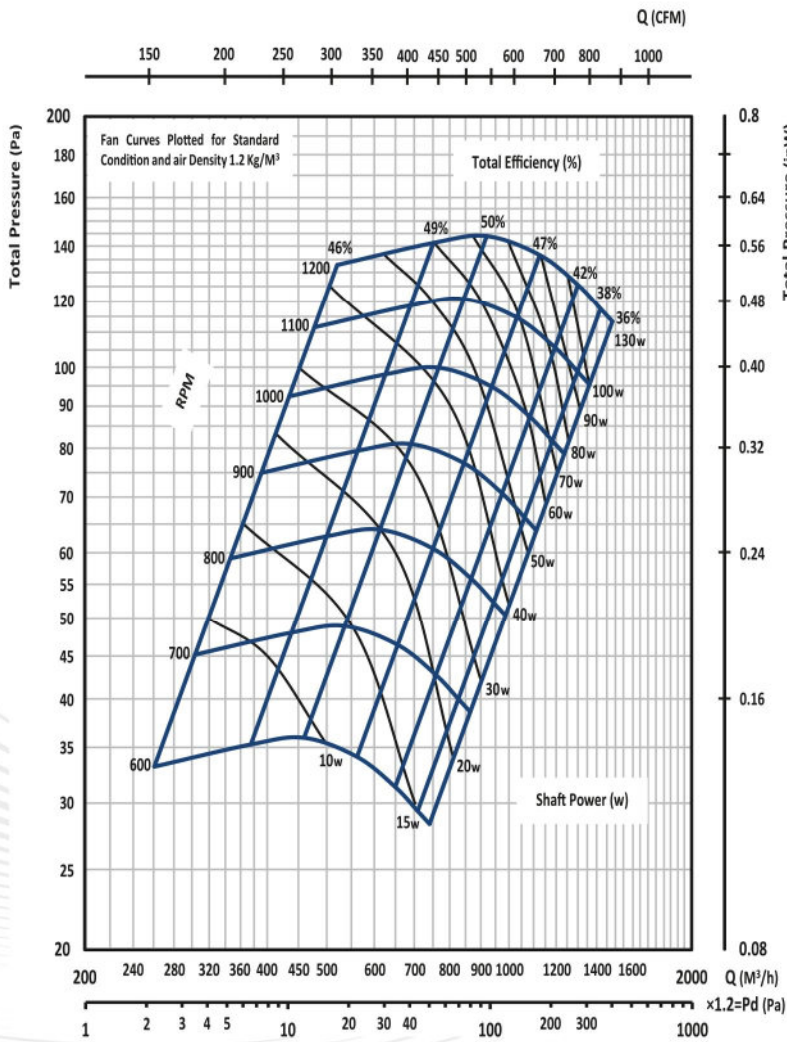


D=12.7-15



# F1820 (800 CFM)

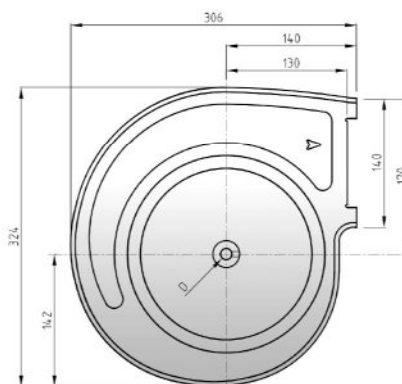
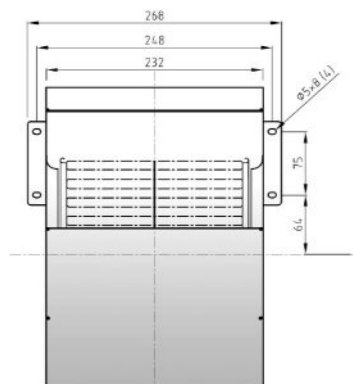
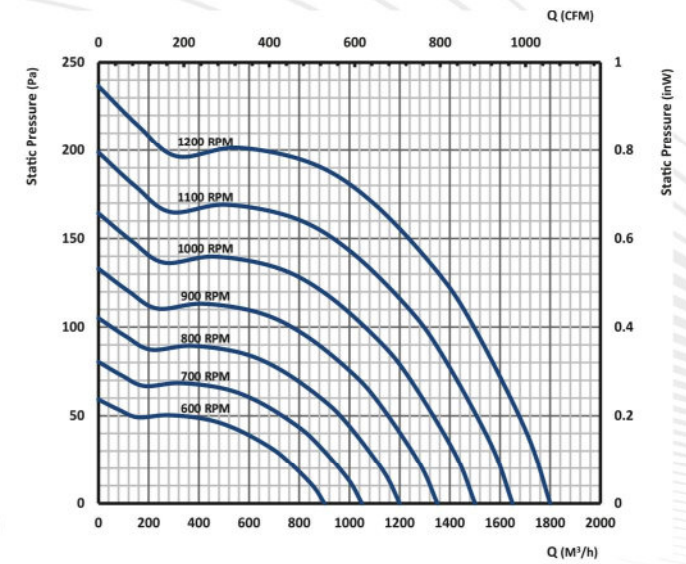
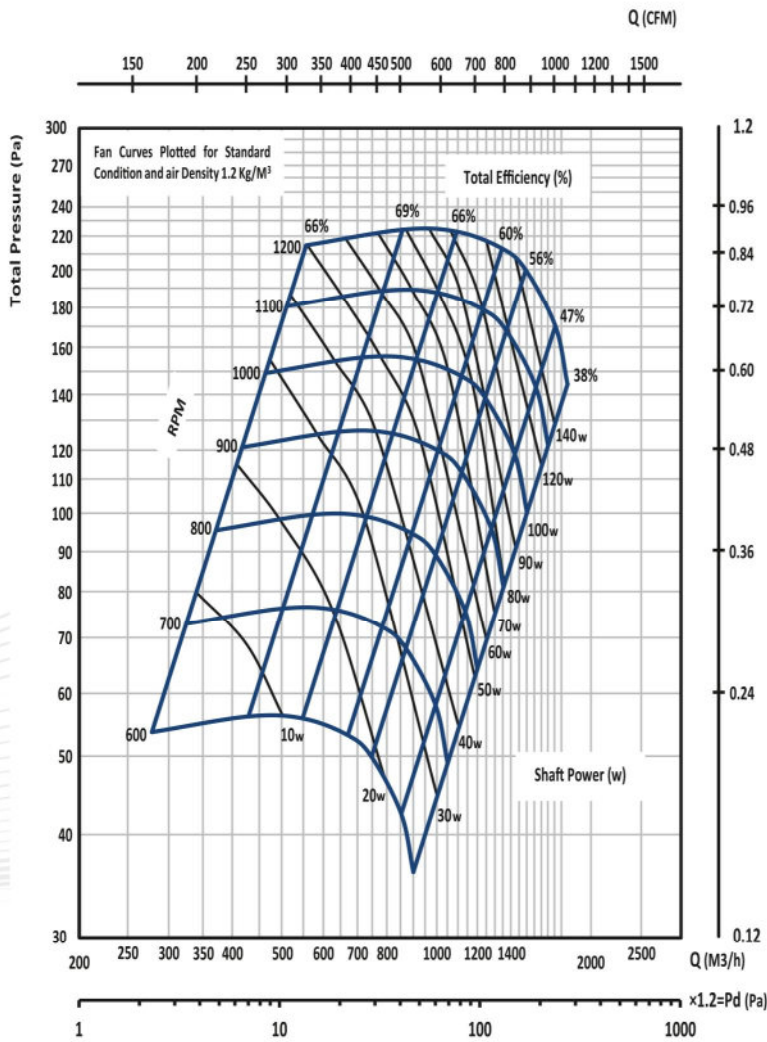
Fan Diameter: 180 mm	Fan Length: 200 mm	Fan Weight: 640 gr
Max Airflow: 870 cfm	Max Pressure: 155.6 Pa	Sound Level: 48 db



D=12.7-15

# F2020 (1000 CFM)

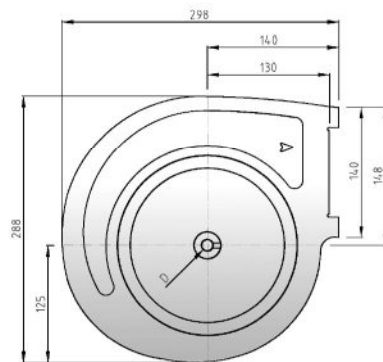
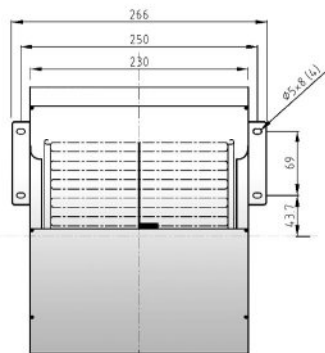
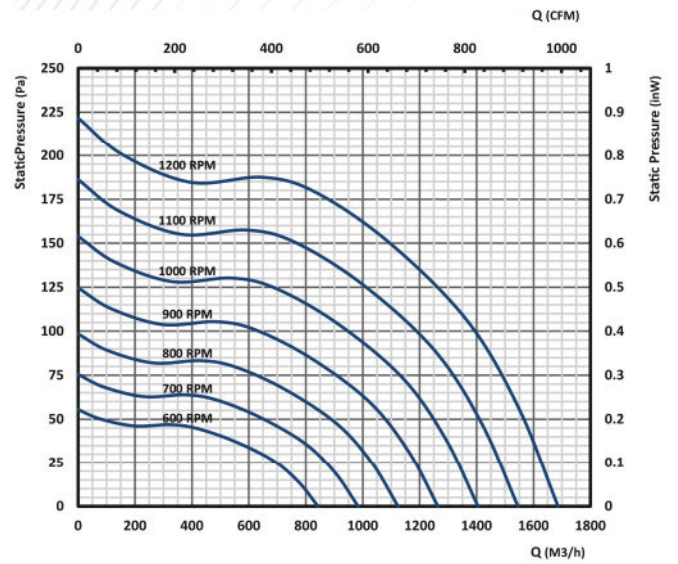
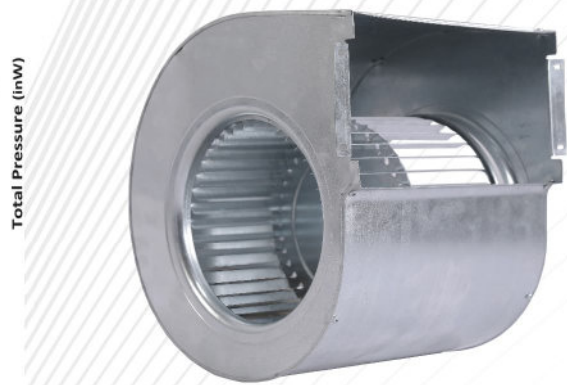
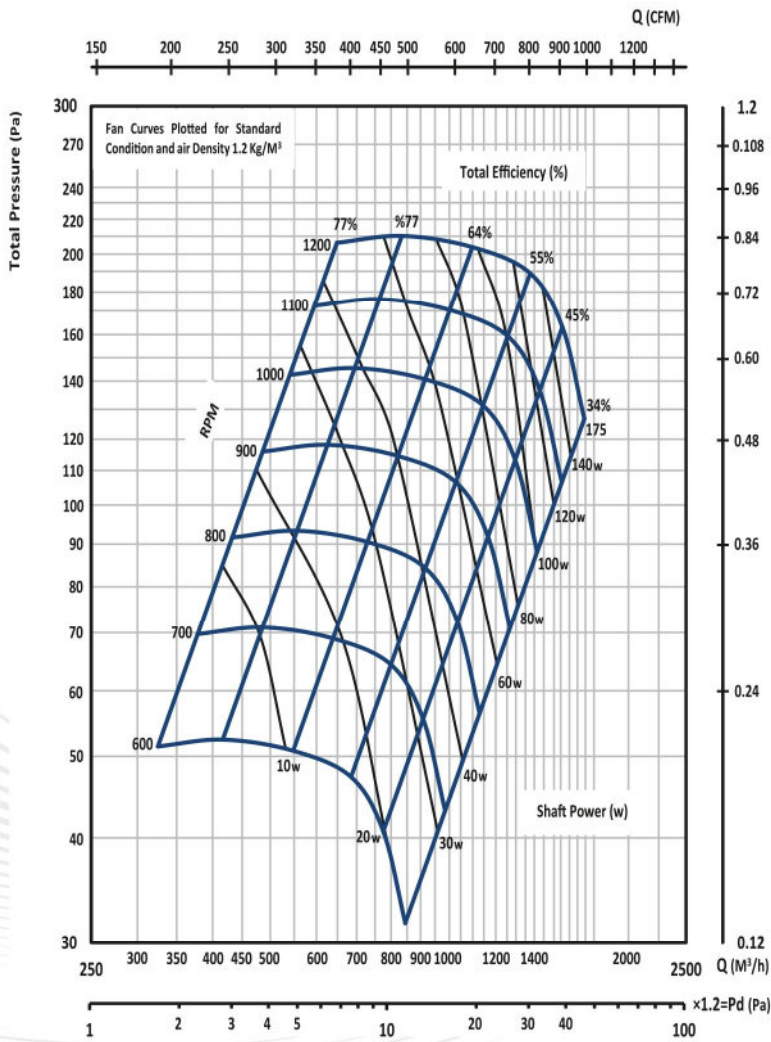
Fan Diameter: 200 mm	Fan Length: 200 mm	Fan Weight: 840 gr
Max Airflow: 1059 cfm	Max Pressure: 236.5 Pa	Sound Level: 50 db



D=12.7-15

# F2020-S (900 CFM)

Fan Diameter: 200 mm	Fan Length: 200 mm	Fan Weight: 840 gr
Max Airflow: 991 cfm	Max Pressure: 221.6 Pa	Sound Level: 53 db



D=12.7-15

# G A S H T A V A R

Office: No.8, Afsar Alley, Shariati St. Tehran, Iran

Tell: 0098-2122005831-2

Factory: No. 288, Banafshe St. Amir Kabir Industrial Town, Kashan, Iran

Tell: 0098-3155503881-2



[WWW.GASHTAVAR.COM](http://WWW.GASHTAVAR.COM)



[T.ME/GASHTAVARBLOWERS](https://t.me/GASHTAVARBLOWERS)



[INFO@GASHTAVAR.COM](mailto:INFO@GASHTAVAR.COM)



[GASHTAVARBLOWERS](https://www.instagram.com/GASHTAVARBLOWERS)